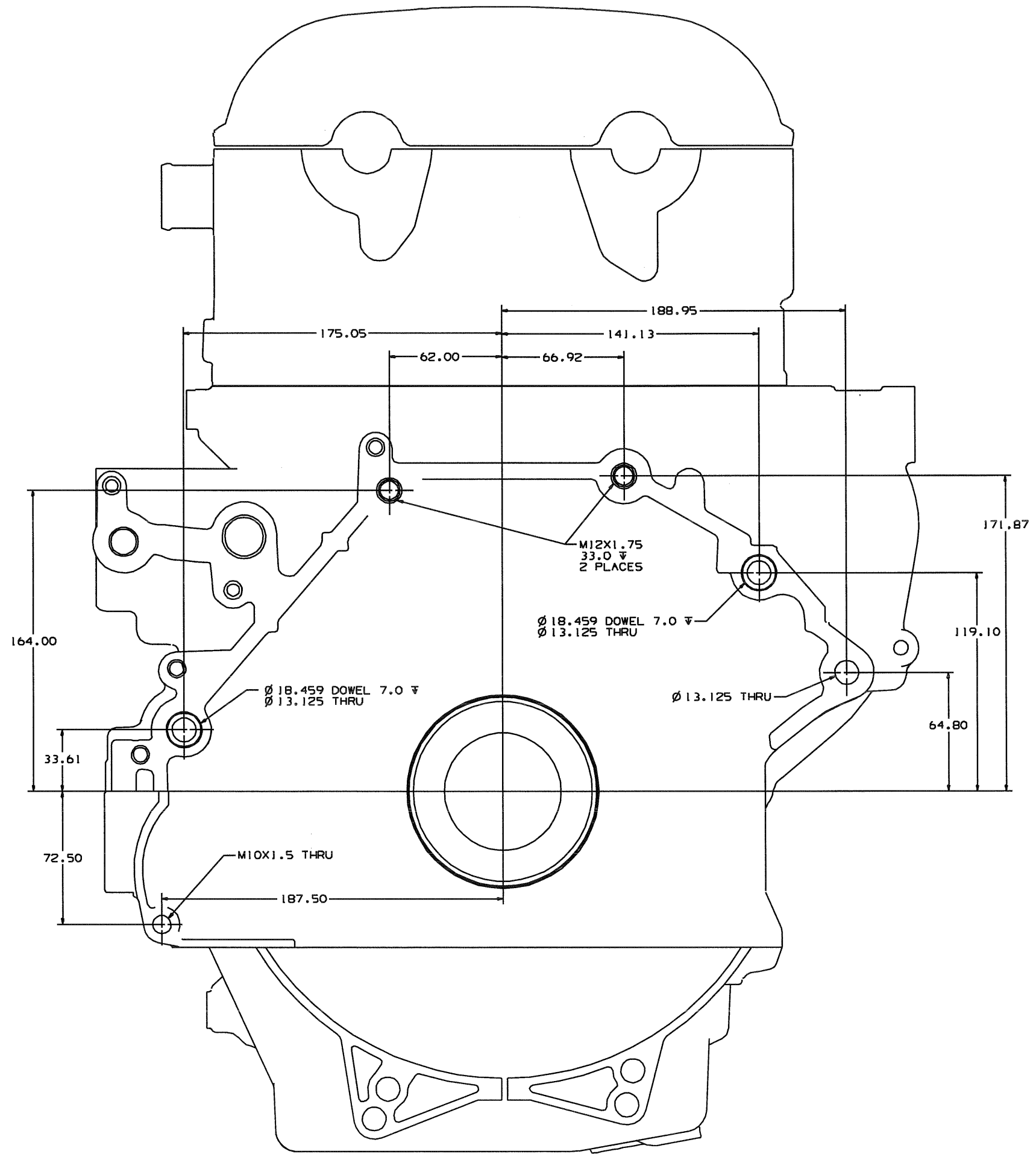
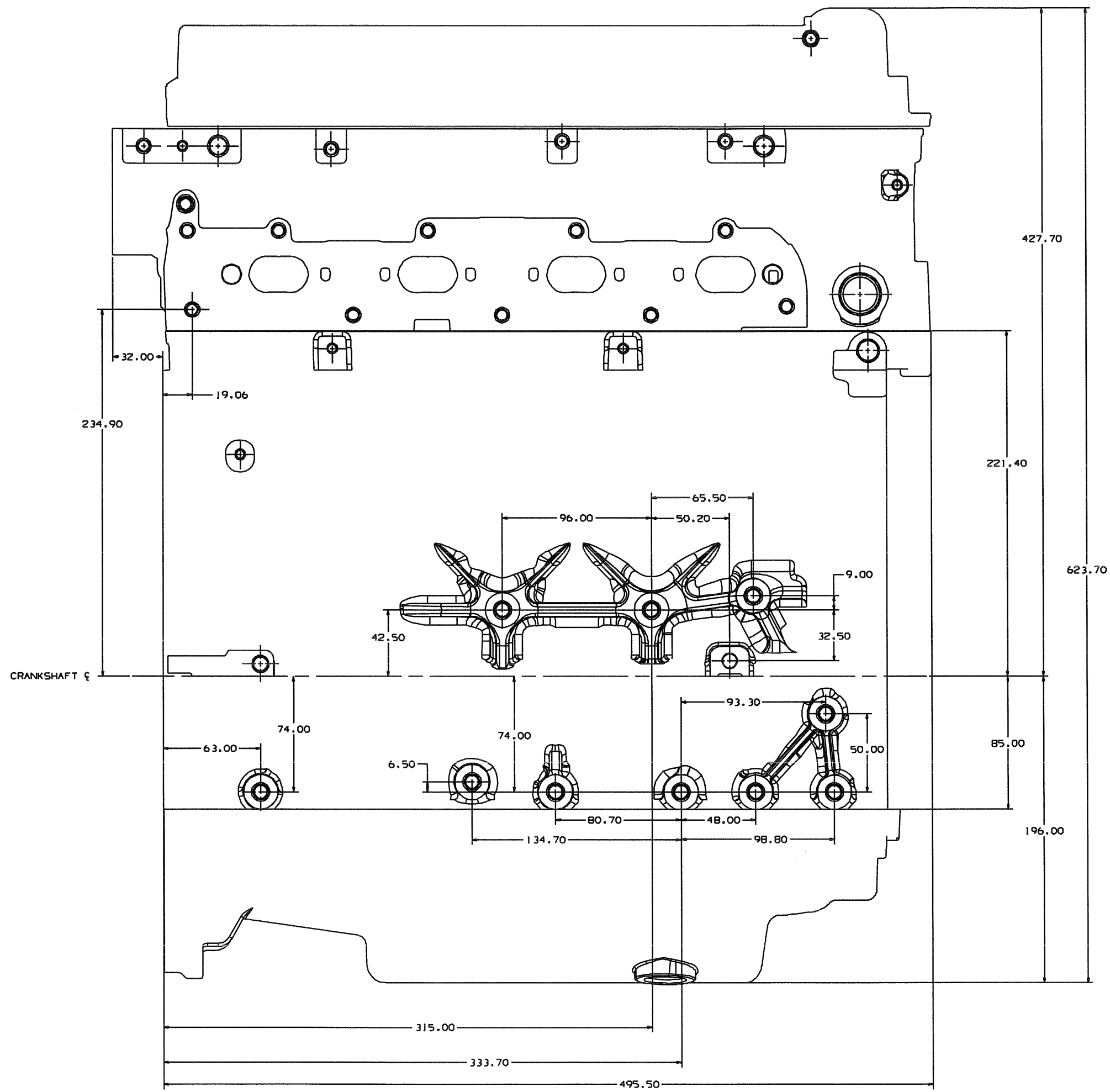


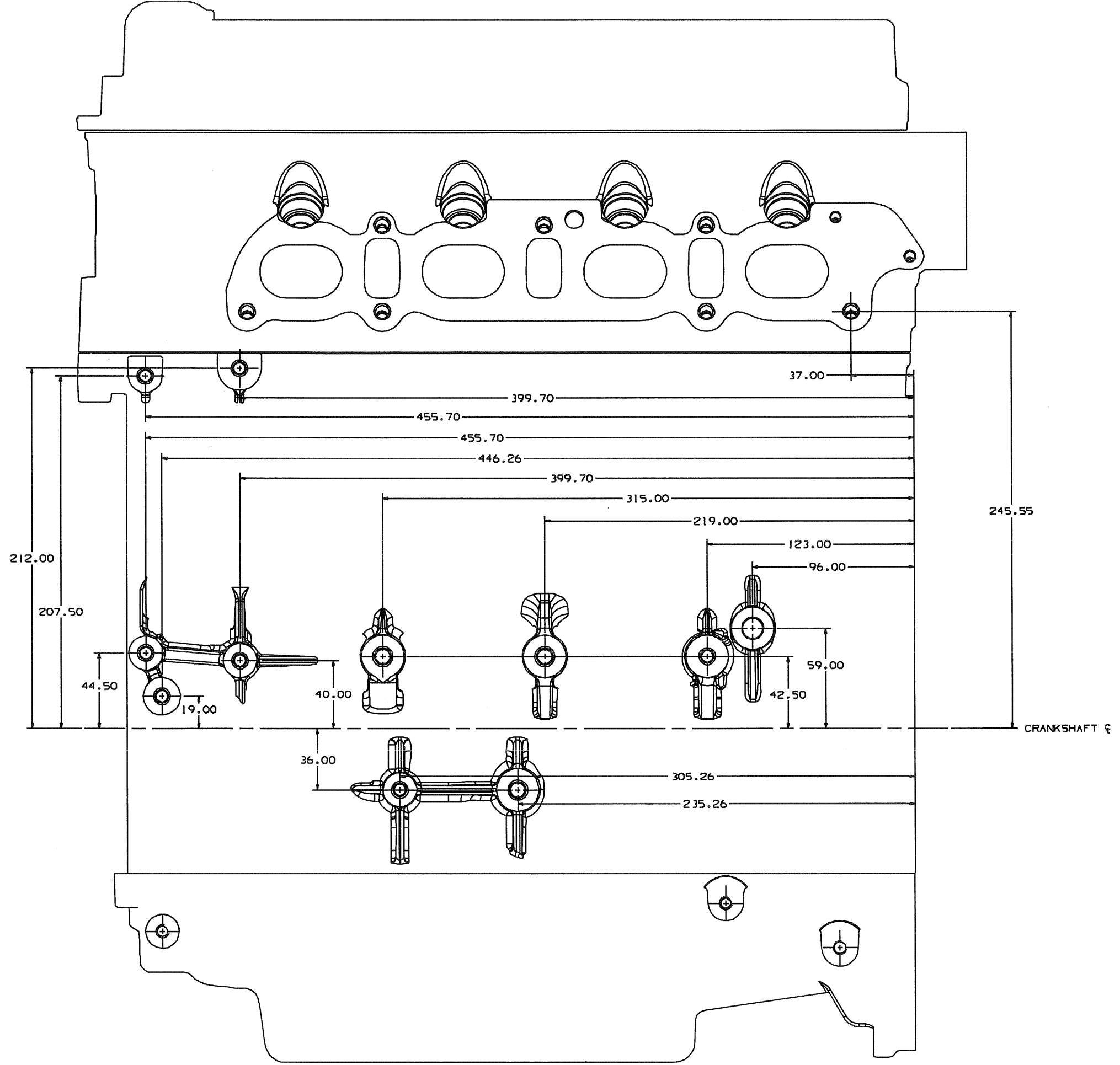
FRONT



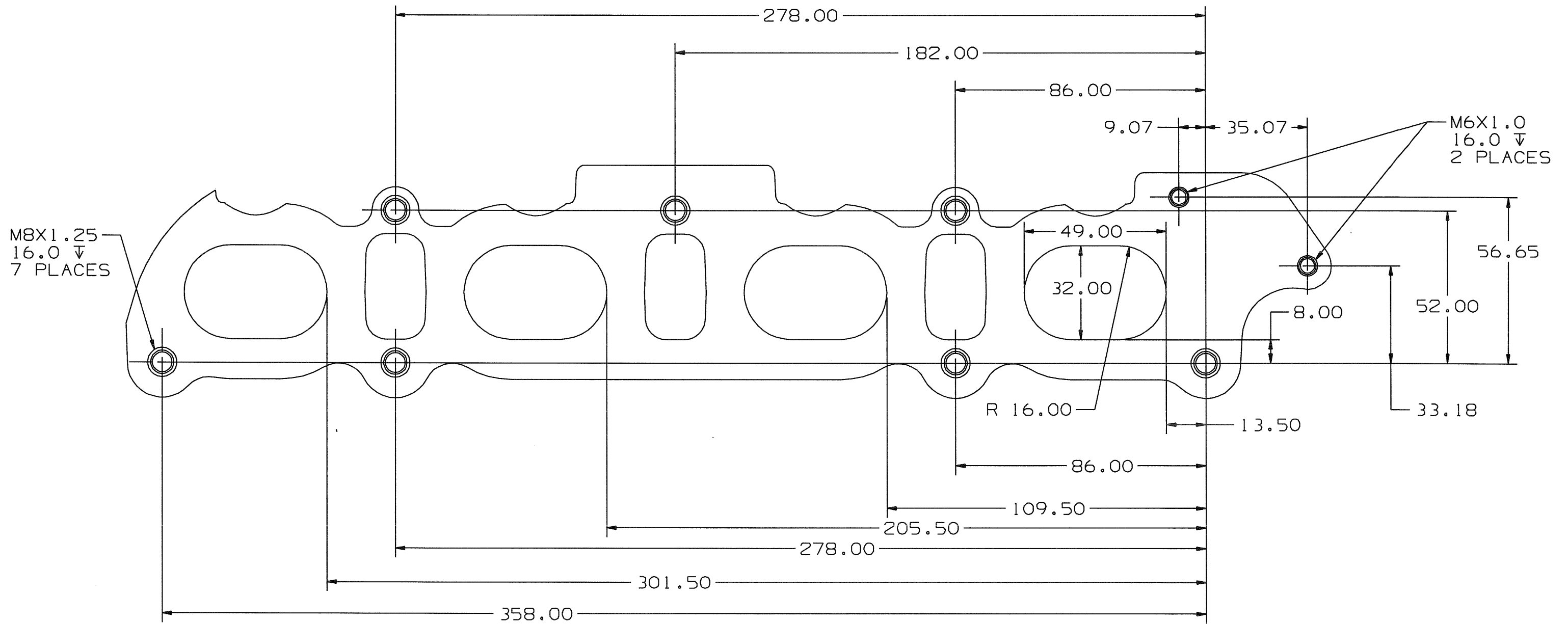
REAR



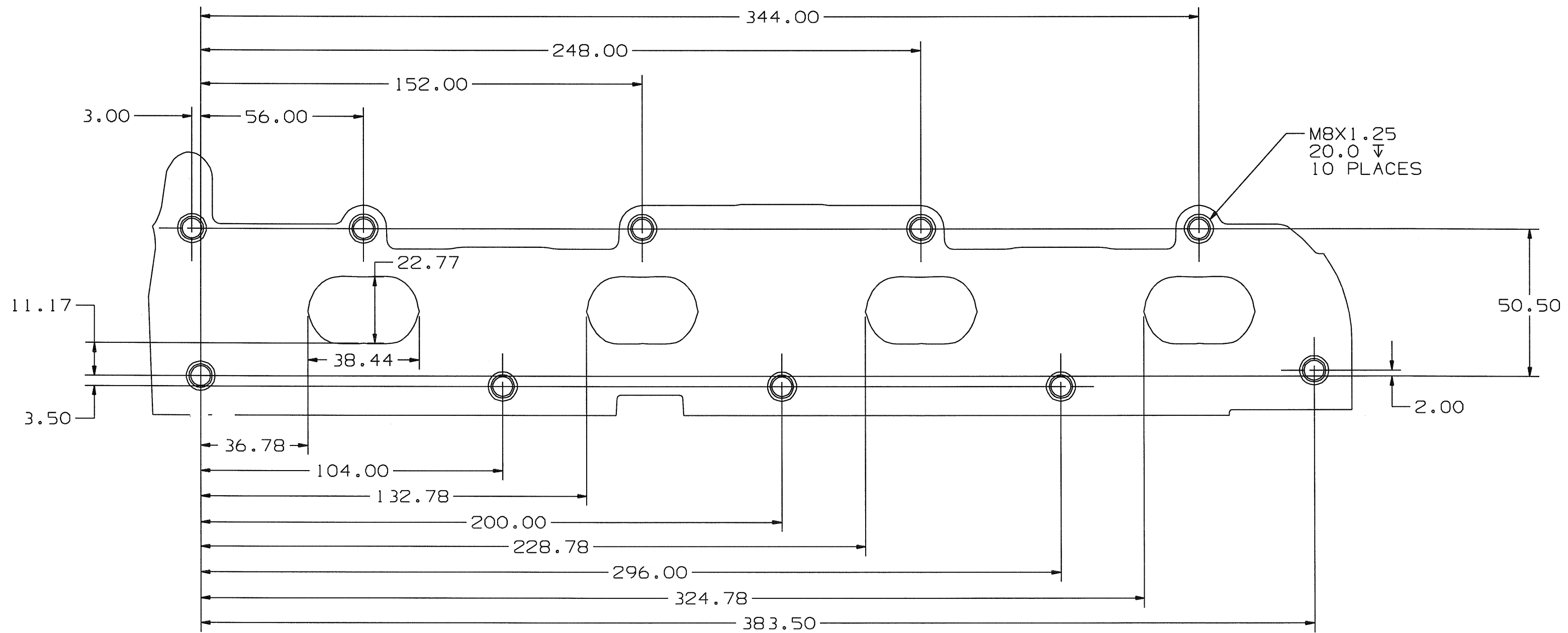
RIGHT SIDE



LEFT SIDE



INTAKE MOUNTING FACE AT 12.5°



EXHAUST FACE